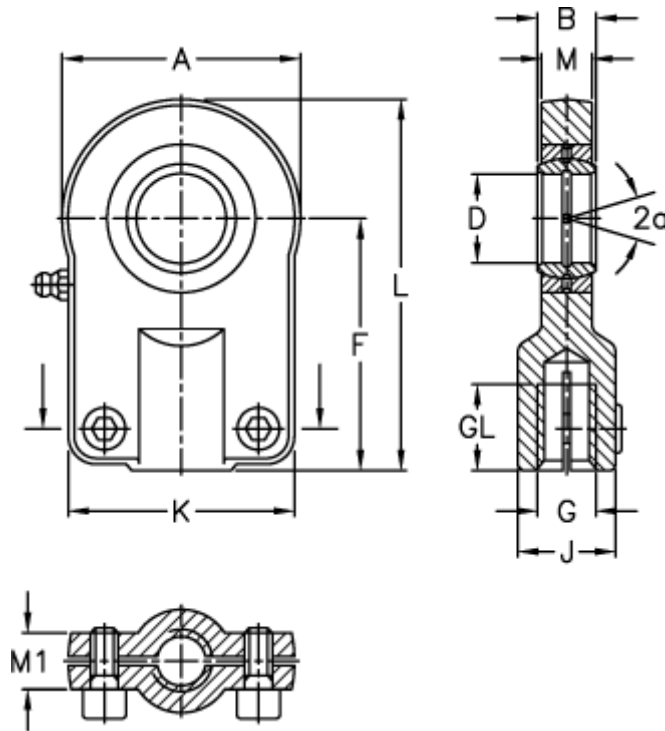


Article number: 03550080

Description: Fluro hydraulic rod end FPR 80S

Measures



A	= 205	J	= 90
a (degrees)	= 6	K	= 156
B	= 55	L	= 287.5
D	= 80	M	= 47
Dynamic load C (kN)	= 400	M1	= 47
F	= 185	Static load C0 (kN)	= 585
g	= M48x2	Torque (N m)	= 410
GL	= 64	Weight	= 15600